

Fig. 05 Assembly groups

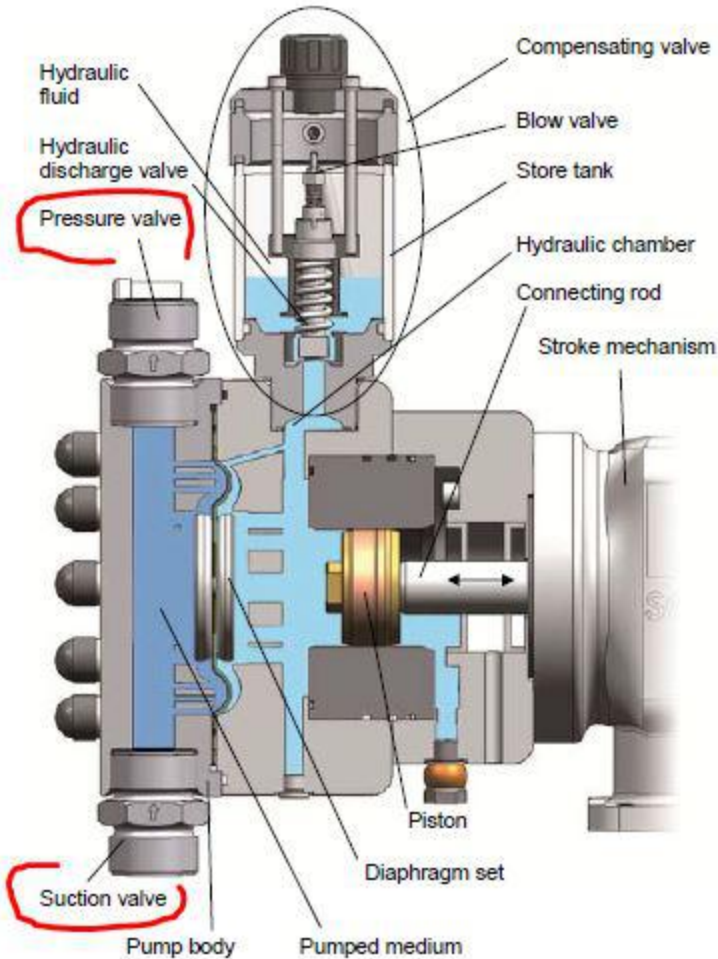


Fig. 11 Functional principle of the piston diaphragm pump

